


GLAD-ST Lift Assist Damper With Stopper

Top opening

Opening Direction	Item Name	Description	Non-handed	Maximum Door Moment
 Top-opening	GLAD-ST-L	Lift-assist	Yes	8.0-10.5 N · m/pc (81.6-107.1 kgf · cm/pc)
	GLAD-ST-M			10.5-13.5 N · m/pc (107.1-137.7 kgf · cm/pc)
	GLAD-ST-H	Soft-close		13.5-16.0 N · m/pc (137.7-163.2 kgf · cm/pc)

Features

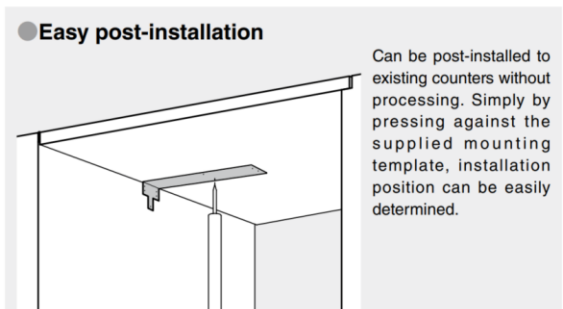
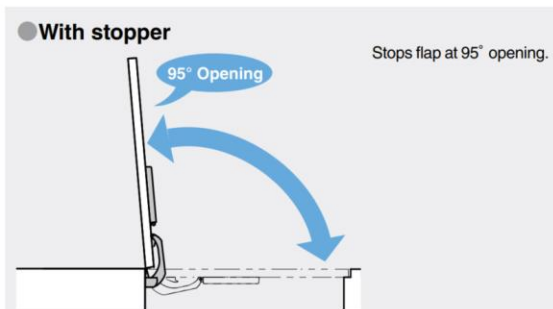
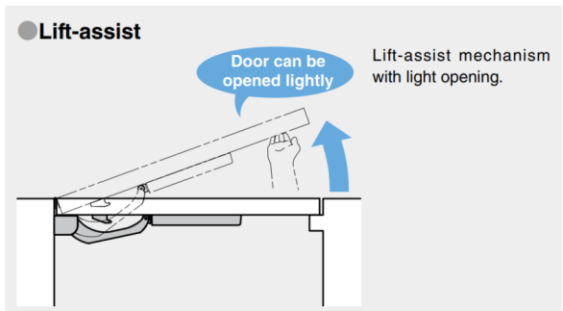
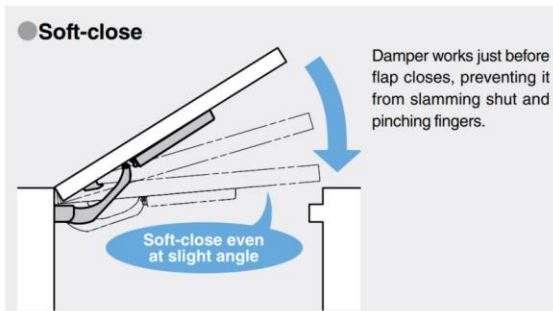
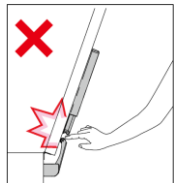
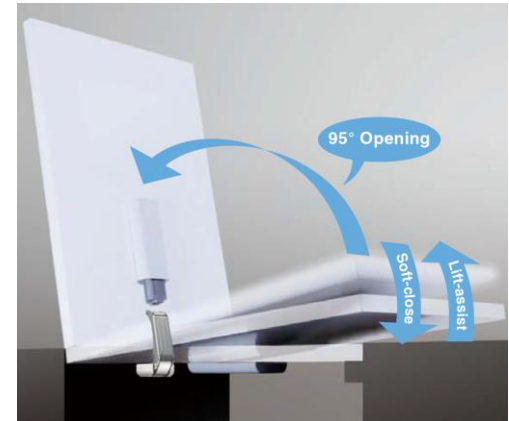
- Ideal for counter top-opening flaps
- Smooth and soft close movement at the end, preventing flaps from slamming shut. Damper works even at a slight opening angle
- Lift-assist mechanism with light opening
- Stops flap at 95° opening with stopper
- Suitable for door thickness 15 ~ 40 mm
- Can be installed to existing counters without processing
- Installation position can be easily determined with the supplied template
- Passed 100,000 life cycle test

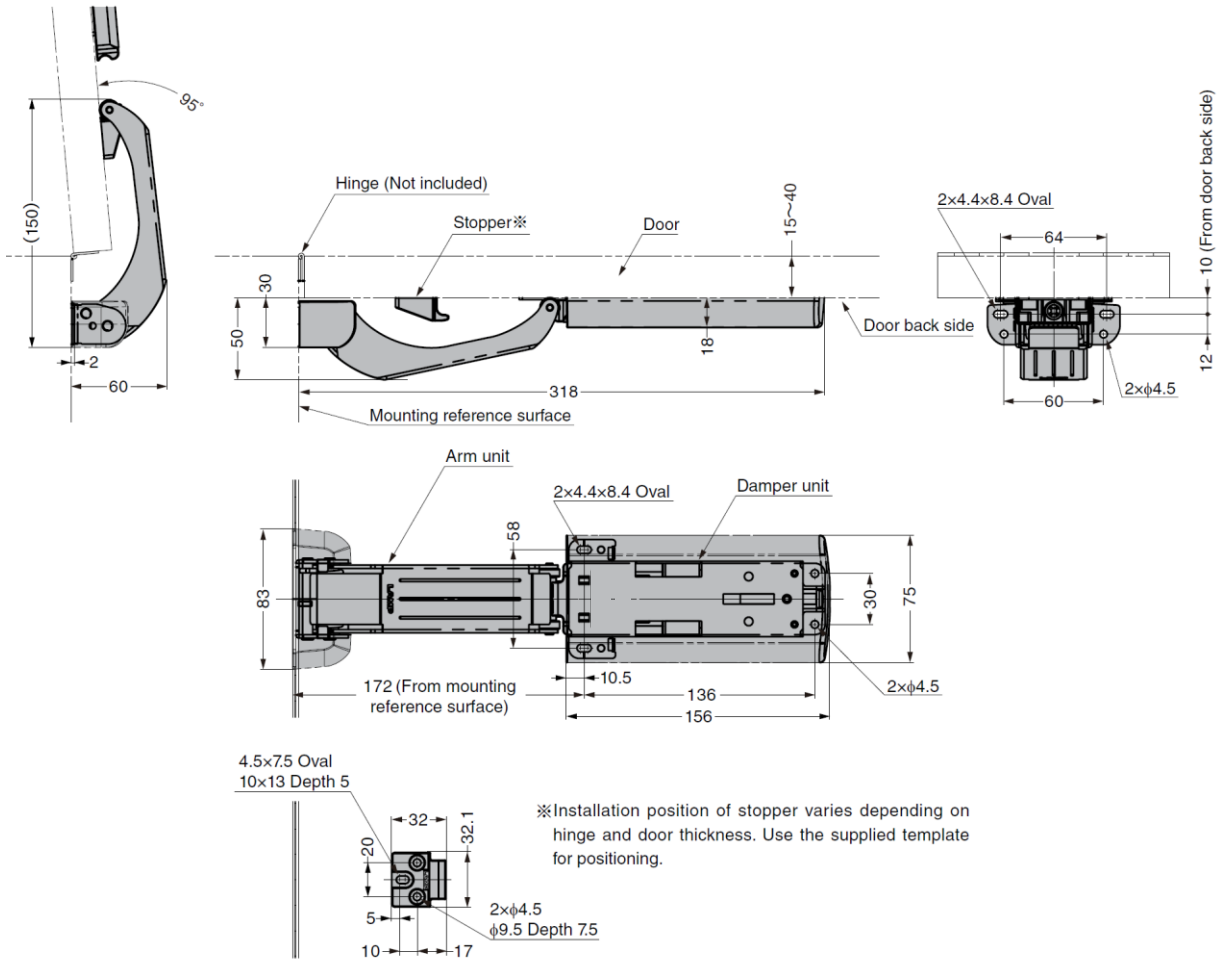
Notes

- Operating temperature: 0°C ~ 40°C
- Simply holds rather than fixes flap in opened position
- Ensure sufficient hinge strength and installation strength at door hanging side
- Do not use concealed hinge
- Closed flap cannot be held with only this product, please install a catch at the front end of flap
- Do not forcibly open and close flap more than necessary
- Ensure that the distance from mounting surface of damper unit and stopper to flap surface is 15 ~ 40mm (refer to drawing)
- Avoid placing fingers between arm unit and damper unit

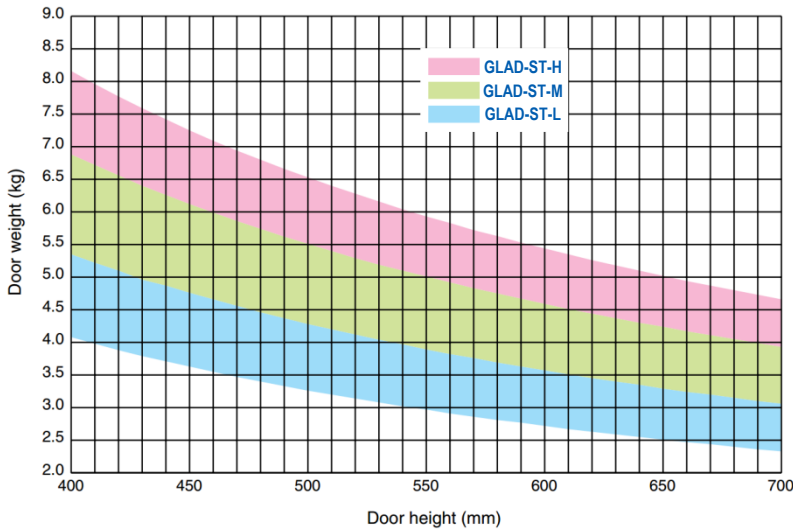
Parts Included

- Binding head tapping screw 4×16
- Template for positioning





Door Size Ranges (1 pc use only)



Refer to the left graph as a guide for model selection

When using a door with size not given here, calculate the door moment as follows.

Maximum Door Moment (N.m):
 = Door weight (kg) × 9.80665 × Distance from rotation centre to door centre of gravity (m)

Part No.	Material	Finish	Recommended Thickness	Maximum Door Moment (per piece)	
GLAD-ST-L	ABS/POM/Steel/ Zinc Alloy (ZDC)	Zinc Chromate/ Nickel Chrome/ Nickel	15 ~ 40	8.0 ~ 10.5 N.m	81.6 ~ 107.1 kgf.cm
GLAD-ST-M				10.5 ~ 13.5 N.m	107.1 ~ 137.7 kgf.cm
GLAD-ST-H				13.5 ~ 16.0 N.m	137.7 ~ 163.2 kgf.cm